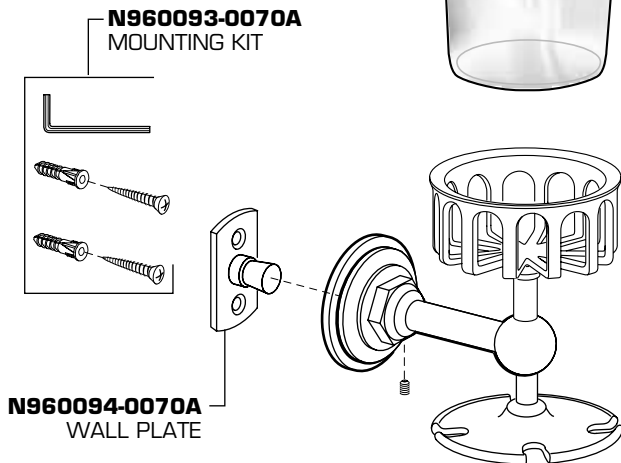
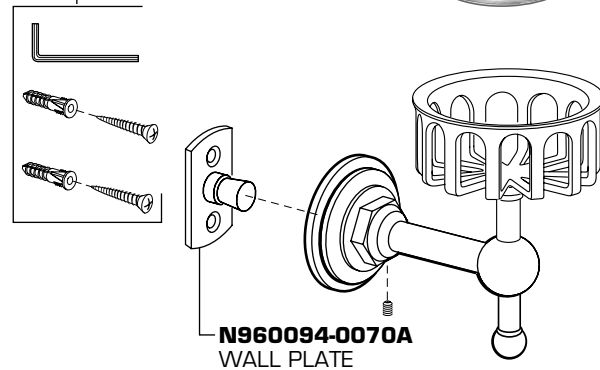
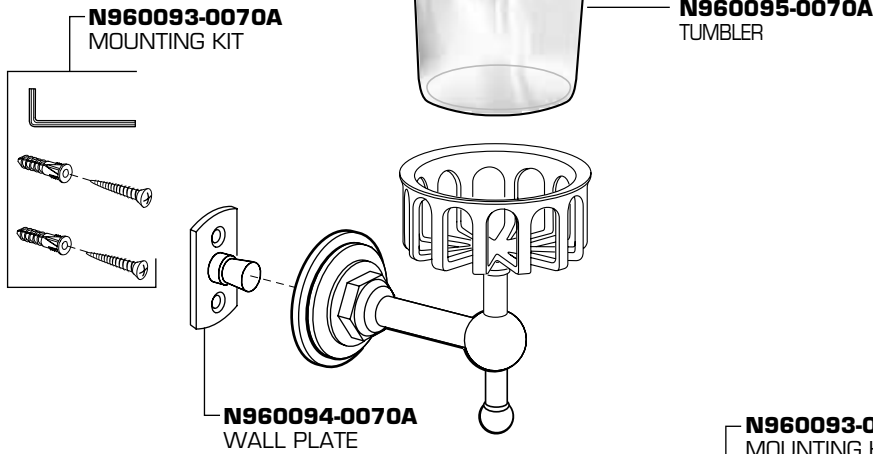


REPRISE ACCESSORIES

MODEL NUMBERS

SOAP DISH	5535.280
TUMBLER HOLDER	5535.150
TUMBLER & TOOTHBRUSH HOLDER	5535.160



Replace the "YYY" with appropriate finish code

CHROME	002
POLISHED NICKEL	008
POLISHED BRASS	099
BRUSHED NICKEL	295



HOTLINE FOR HELP

For toll-free information and answers to your questions, call:

1 (800) 359-3261

Weekdays 8:00 to 7:00 p.m. EST

IN CANADA 480-961-5353

Product names listed herein are trademarks of Porcher, Ltd.
©Porcher, Ltd. 2003

M968405